

# LED LINEAR LIGHTING FIXTURES

## RMS - \*TL2.. Series - Aisi304



- RMS.. series lighting fixtures are ideally suited for ON and OFF-SHORE applications and all kinds of industries where there is an high level of corrosion.
- Both body and glass frame are made of AISI304 stainless steel and manufactured from a single sheet of steel with no invasive mounting holes, to minimize the risk of water ingress through the housing.
- Design has been studied to allow operator working with free hands and no need to support any part of lighting fixture. One person can take care of start-up or maintenance without any aid and assistance.
- Due to inorganic materials like stainless steel and glass, RMS.. series lighting fixtures are 95% recyclable.

### MARKING

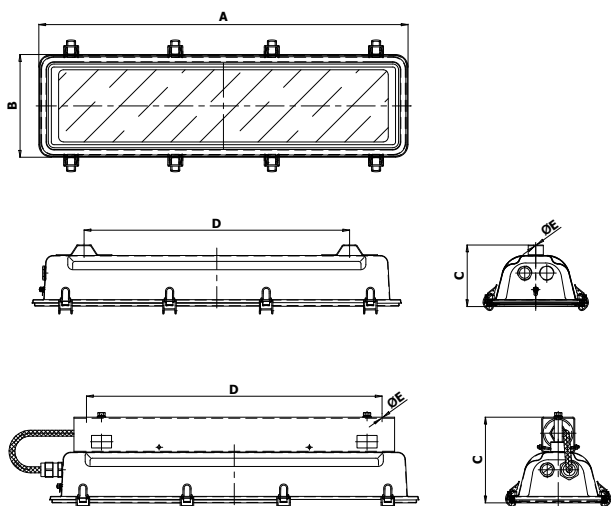
II 2G Ex db eb mb IIC T4 /T3 Gb

II 2D Ex tb IIIC T85°C Db

## TECHNICAL FEATURES

<b>Material</b>	AISI304
<b>IP rating</b>	IP65
<b>Ambient temperature range</b>	-30°C to + 60°C
<b>Approvals</b>	FIDI 23 ATEX xxxxx X/xx IECEX FIDI 23.xxxx X/xx
<b>Zones</b>	Gas Zones: 1,2 Dust Zones: 21, 22
<b>Rated voltage</b>	110-277 VAC (normal & emergency service)
<b>Frequency</b>	50 - 60 HZ
<b>Colour rendering index</b>	> 80 CRI
<b>Colour temperature</b>	6.500 K
<b>Power factor</b>	cos φ ≥ 0,98
<b>Surge protection</b>	4kVAC
<b>LED Lifetime ( L70) Ta+25°C</b>	> 66.000 h - according to IES LM-80-08
<b>Hardware and screws</b>	AISI304
<b>Entries</b>	2x entries M20 x 1,5
<b>Through wiring</b>	Loop-in / loop-out
<b>Plug</b>	1 x plastic dustproof plug for M20 entry protection 1 x M20 Brass nickel chrome plug c/w gasket ( mounted)
<b>Accessories upon request</b>	AISI316L mounting kit: pole mounting, ceiling mounting, suspension mounting; Cable gland kit in brass nichel chrome or AISI316L stainless steel.

### Dimensions RMS - \*TL2 Series



### RMS-560 LED - Lighting fixtures for emergency service

CODE	TYPE	POWER [W]	LUMEN [lm]	LUM. EFF [lm/W]	DIMENSIONS [mm]					WEIGHT [Kg]
					A	B	C	FIXING		
								D	ØE	
A020162210001	RMS 1TL2 1X19W	1X19	3.225	170	737	239	124	530	9	5,50
A020162210002	RMS 2TL2 2X19W	2X19	6.450	170	737	239	124	530	9	5,60
A020262210001	RMS 1TL2 LE-P 60 1X19W	1X19	3.225	170	737	239	177	590	9	9,50
	EMERGENCY SERVICE: 60'		500							
A020262210005	RMS 1TL2 LE-P 180 1X19W	1X19	3.225	170	737	239	177	590	9	10,50
	EMERGENCY SERVICE: 180'		500							
A020262210002	RMS 2TL2 LE-P 60 2X19W	2X19	6.450	170	737	239	177	590	9	9,60
	EMERGENCY SERVICE: 60'		500							
A020262210006	RMS 2TL2 LE-P 180 2X19W	2X19	6.450	170	737	239	177	590	9	10,60
	EMERGENCY SERVICE: 180'		500							

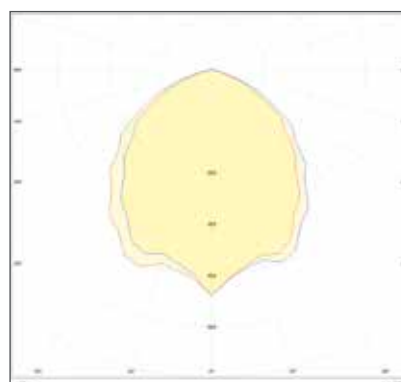
### Not permanent version

CODE	TYPE	POWER [W]	LUMEN [lm]	LUM. EFF [lm/W]	DIMENSIONS [mm]					WEIGHT [Kg]
					A	B	C	FIXING		
								D	ØE	
A020262210009	RMS 1TL2 LE-NP 60 1X19W	1X19	3.225	170	737	239	177	590	9	9,50
	EMERGENCY SERVICE: 60'		500							
A020262210010	RMS 1TL2 LE-NP 180 1X19W	1X19	3.225	170	737	239	177	590	9	10,50
	EMERGENCY SERVICE: 180'		500							

### Lighting accessories

CODE	TYPE
A601102010009	1" 1/2 POLE MOUNTING KIT P14 AISI316L
A601102010008	2" POLE MOUNTING KIT P14 AISI316L
A601102010005	CEILING MOUNTING KIT G3 AISI316L
A601102010012	SUSPENSION MOUNTING KIT G4 AISI316

### Photometric light curves



**FLUORESCENT LIGHTING AVAILABLE UPON REQUEST**